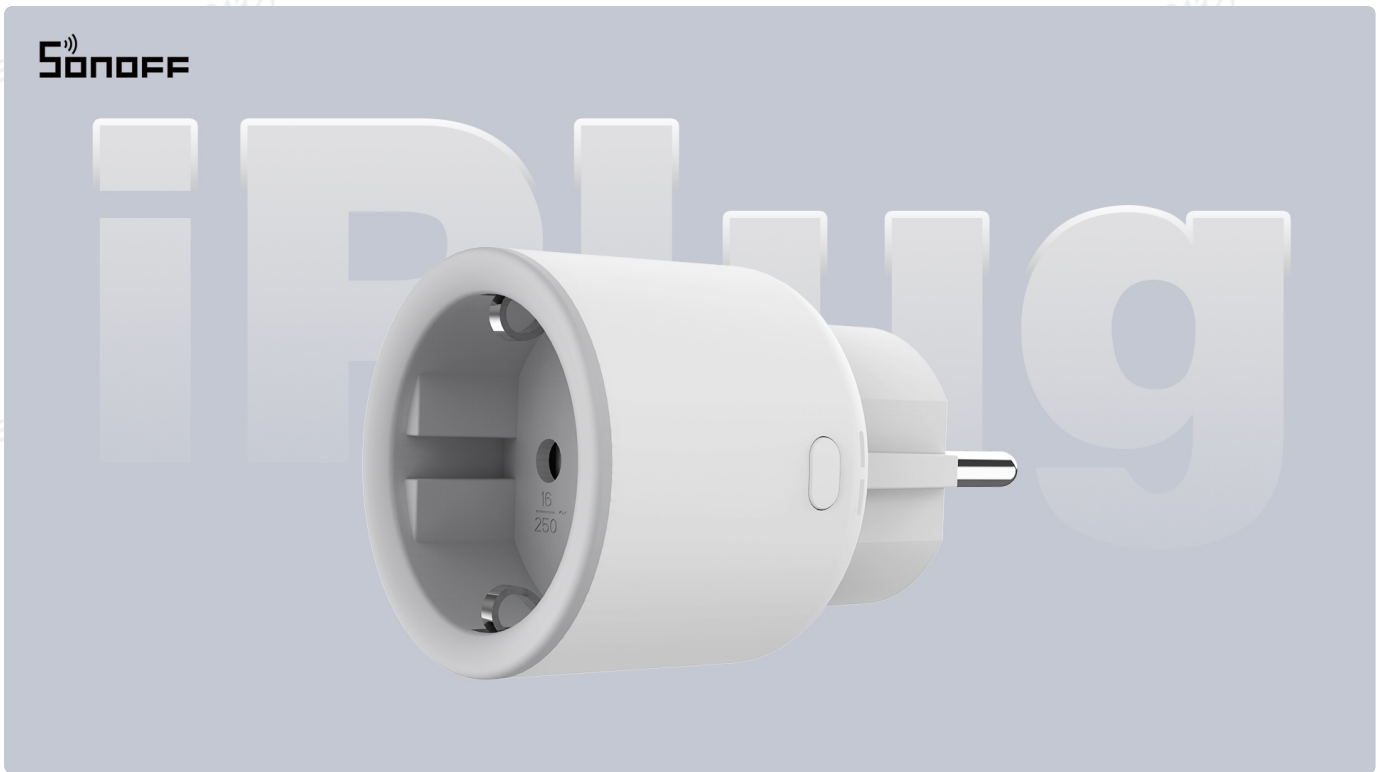


S60TPF(EN)



Wi-Fi Smart Plug

User Manual V1.0

Introduction

A "safe and reliable" Wi-Fi Smart Plug with main functions such as remote control, power monitoring, and voice control. You are able to check the daily/monthly power consumption on the energy overview page in the eWeLink App. Home automation can be achieved by the configuration of smart scenes, timers, schedules, etc.



Remote Control



Timers/Schedule



Voice Control



Device Sharing



Smart Scene



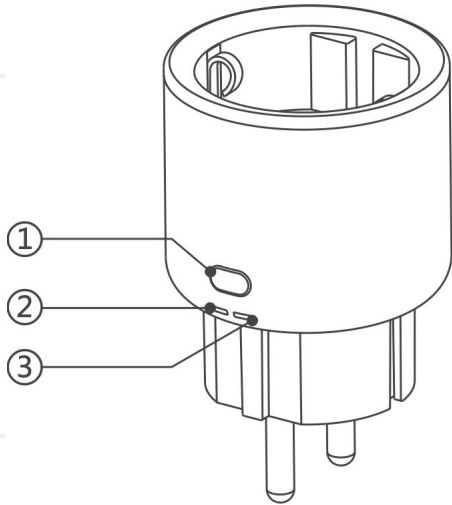
Inching Mode



Energy Overview



Over-load Protection



① Button

Press once: Turn on/off the smart plug.

Press and hold for 5 seconds : Device enters the pairing mode.

② Wi-Fi LED indicator (Blue)

Keeps on: Device is online.

Two short and one long flashes: Device is in pairing mode.

Quick flash: Router not connected.

Flash twice: Connected to the router, but not connected to the cloud.

Flash three times: Firmware upgrade in progress.

③ Power LED indicator (Red)

Light on: The device is on.

Light off: The device is off.

Compatible Voice Assistants



Specification

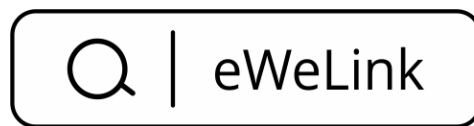
Model	S60TPF
-------	--------

MCU	ESP32-C3
Input	250V~,50/60Hz,16A
Max. Load	4000W
Wireless Connectivity	Wi-Fi IEEE 802.11 b/g/n 2.4GHz
Net Weight	79g
Dimension	50x50x61.5mm
Color	White
Casing Material	PC V0
Applicable Place	Indoor
Working Temperature	-10°C~40°C
Working Humidity	5%~95% RH, non-condensing
Certified Compliance	CE/RoHS

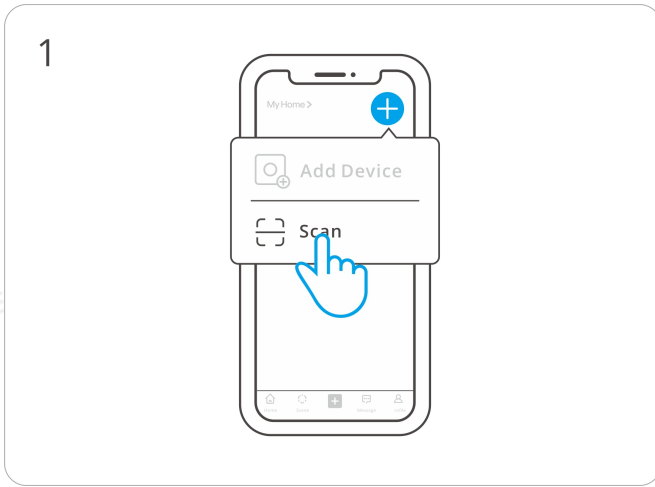
Note: To ensure the safety of your electrical installation, it's essential either a Miniature Circuit Breaker (MCB) or a Residual Current Operated Circuit Breaker (RCBO) with an electrical rating of 16A has been installed before the plug.

Download the “eWeLink” App

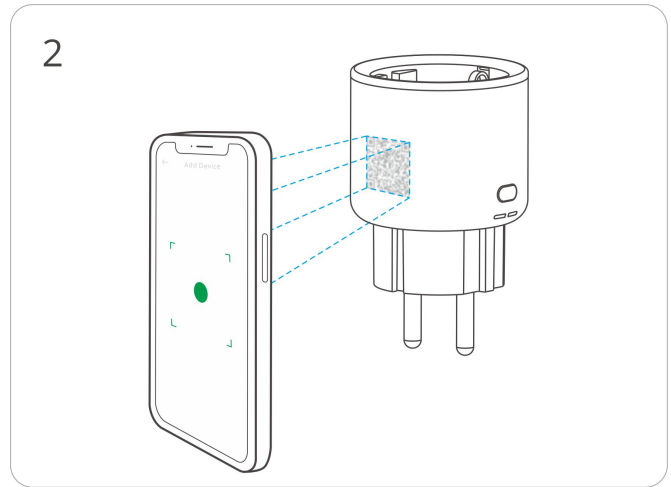
Please download the "eWeLink" App from [Google Play Store](#) or [Apple App Store](#).



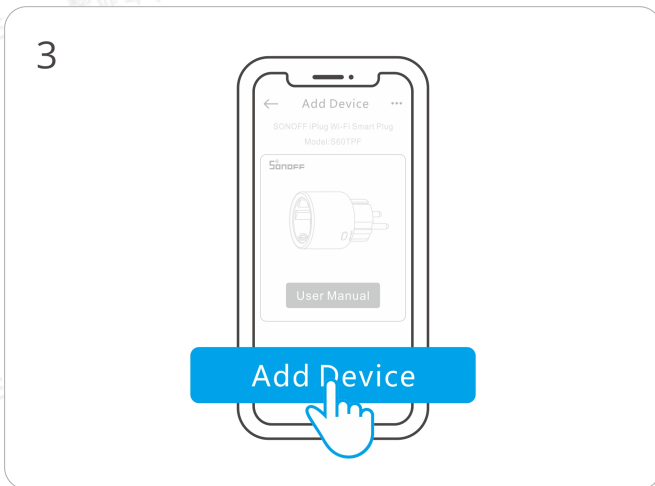
Add Device



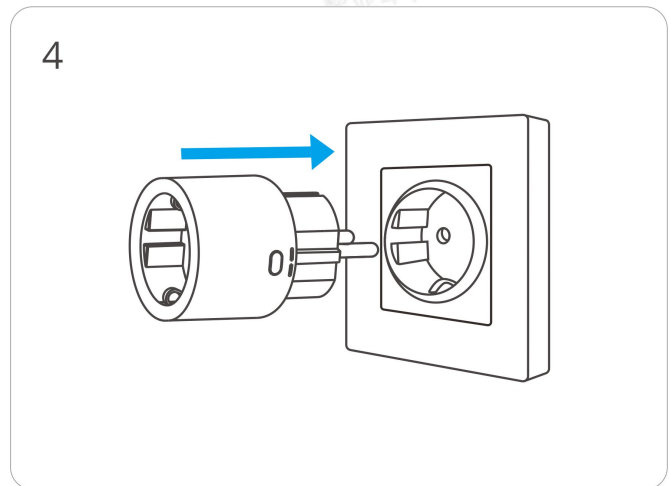
Enter "Scan"



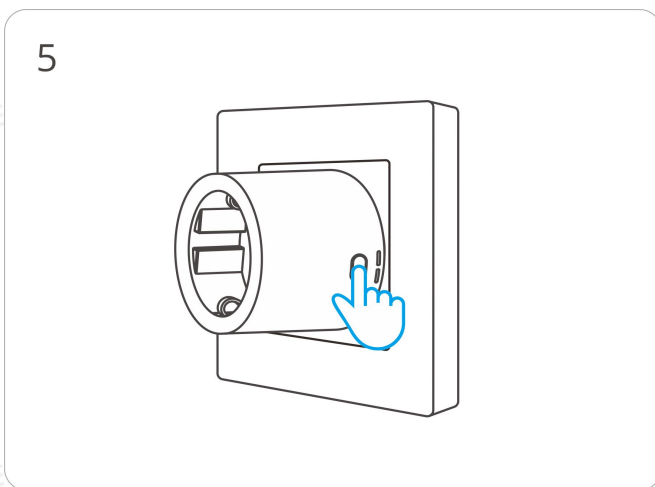
Scan the QR code on the device



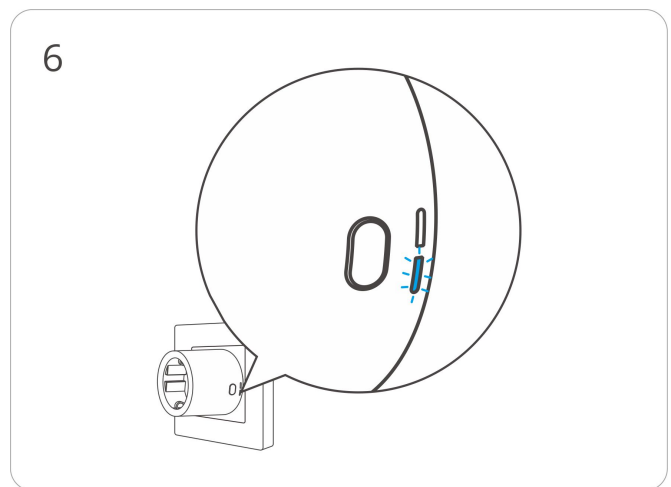
Select "Add Device"



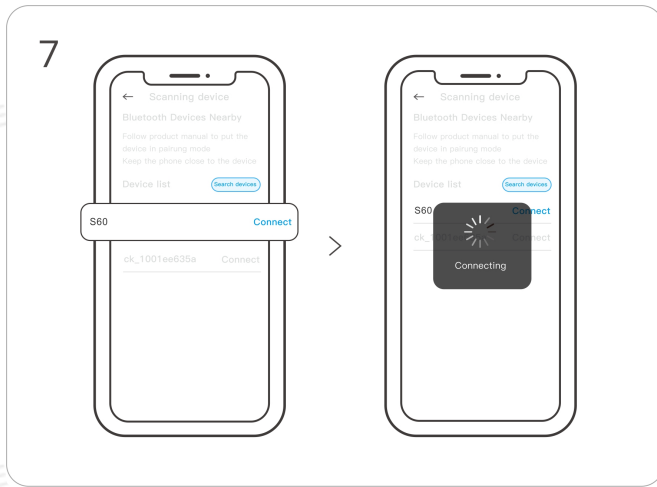
Plug in



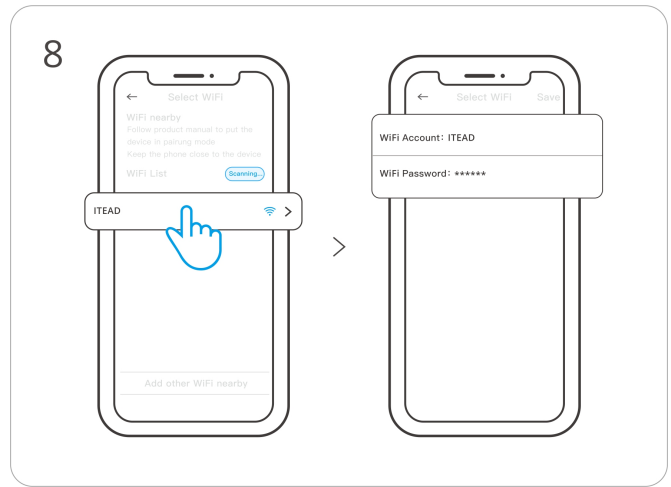
Long press the button for 5 seconds



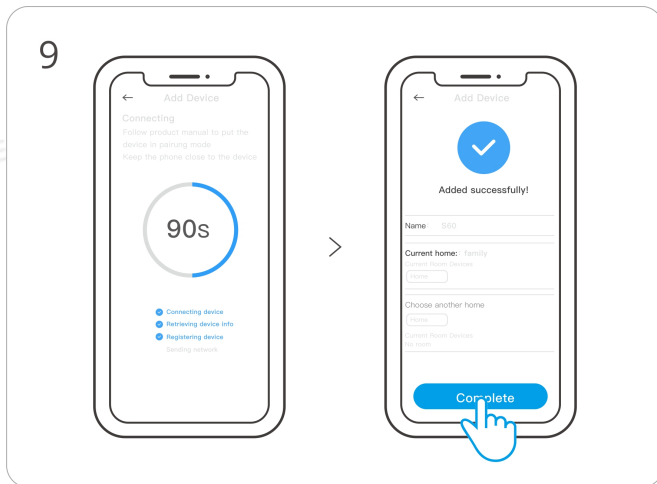
Check Wi-Fi LED indicator flashing status
(Two short and one long flashes)



Search for the device and start connecting



Select the "Wi-Fi" network and enter the password



Device added completely

EU Declaration of Conformity

Hereby, Shenzhen Sonoff Technologies Co., Ltd. declares that the radio equipment type S60TPF is in compliance with Directive 2014/53/EU. The full text of the EU declaration of conformity is available at the following internet address:

<https://sonoff.tech/usermanuals>

SAR Warning

Under normal use of condition, this equipment should be kept a separation distance of at least 20 cm between the antenna and the body of the user.

Dans des conditions normales d'utilisation, cet équipement doit être maintenu à une distance d'au moins 20 cm entre l'antenne et le corps de l'utilisateur.

For CE Frequency

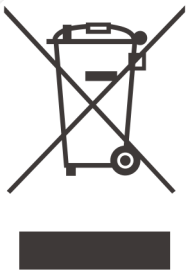
Operation frequency Range

BLE: 2402–2480MHz

Wi-Fi Operation Frequency: 802.11 b/g/n20 2412–2472 MHz, 802.11 n40: 2422–2462 MHz

RF Output Power: BLE: ≤10dBm, Wi-Fi: ≤20dBm

WEEE Disposal and Recycling Information



All products bearing this symbol are waste electrical and electronic equipment (WEEE as in directive 2012/19/EU) which should not be mixed with unsorted household waste. Instead, you should protect human health and the environment by handing over your waste equipment to a designated collection point for the recycling of waste electrical and electronic equipment, appointed by the government or local authorities. Correct disposal and recycling will help prevent potential negative consequences to the environment and human health. Please contact the installer or local authorities for more information about the location as well as terms and conditions of such collection points.



Manufacturer: Shenzhen Sonoff Technologies Co., Ltd.

Address: 3F & 6F, Bldg A, No. 663, Bulong Rd, Shenzhen, Guangdong, China

ZIP code: 518000

Service email: support@itead.cc

Website: sonoff.tech

Made in China



ITEAD - 黎业军(2602432)