

## Diagram References

### 1 Appearance

- ① Screen
- ② Microphone
- ③ Unlock Key
- ④ Loudspeaker
- ⑤ SD Card Slot
- ⑥ Debugging Port
- ⑦ Network Interface
- ⑧ Power/Alarm Terminal

Note: The appearance of the device varies according to different models. Refers to the actual device for detailed information.

### 2 Terminal and Wiring

There are 20 pins in the terminal on the rear panel of the indoor station: 2 RS-485 pins, 2 power pins, 2 alarm output pins, 8 alarm input pins, and 4 reserved pins.

### 3 Installation

It supports wall mounting.

#### ★ Installation Accessory Description

The wall mounting plate is required when installing the indoor station on the wall. The dimension of wall mounting plate is shown.

#### ★ Wall Mounting

Before You Start

- Make sure the device in the package is in good condition and all the assembly parts are included.
- The power supply the indoor station supports is 12 VDC. Please make sure your power supply matches your indoor station.
- Make sure all related equipments are power-off during the installation.
- Check the product specification for the installation environment.

1. Fix the wall mounting plate to the wall with supplied screws.
2. Put the indoor station on the holder of the wall mounting plate.

### 4 Getting Started

#### 1 Activate Indoor Station

You are required to activate the device first by settings a strong password before you can use the device.

1. Power on the device. It will enter the activation page automatically.
2. Create a password and confirm it.
3. Tap OK to activate the indoor station.

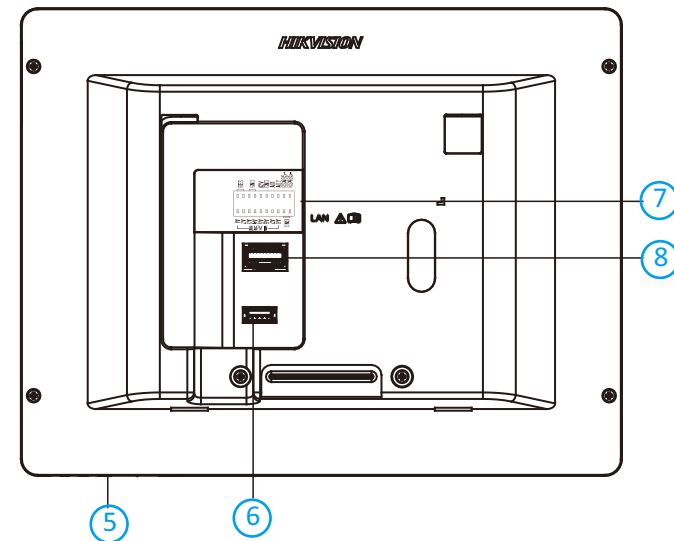
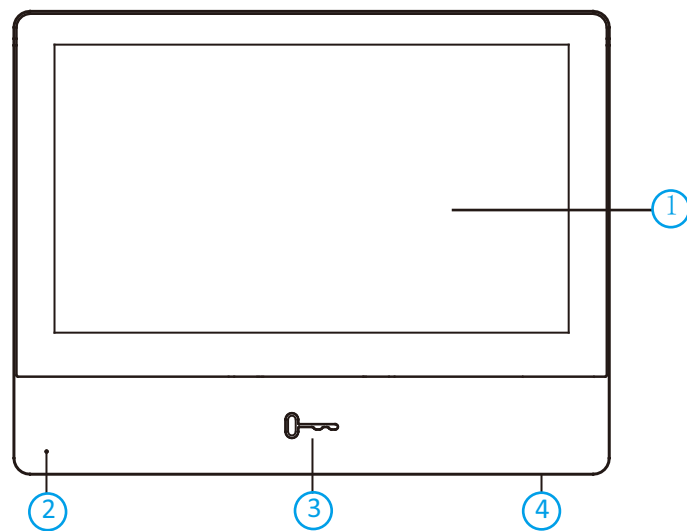
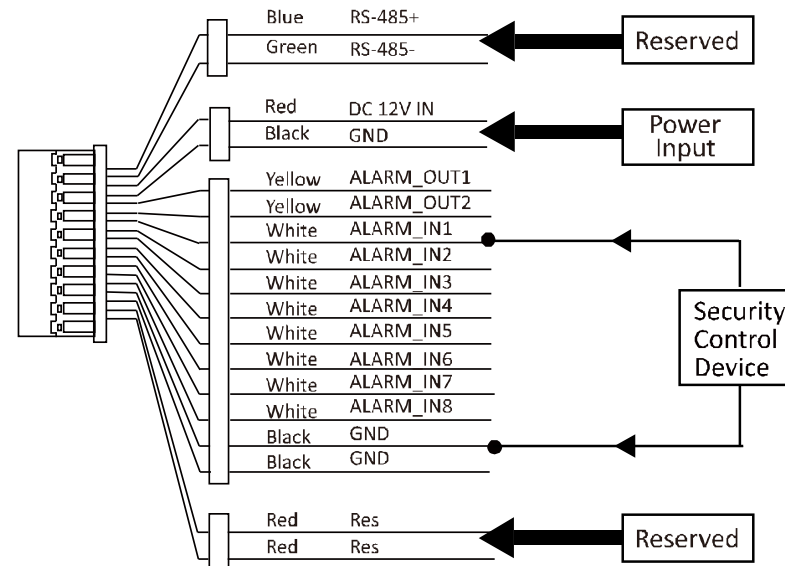
#### 2 Quick Configuration

1. Choose Language and tap Next.
2. Set network parameters and tap Next.
  - Edit Local IP, Subnet Mask and Gateway parameters.
  - Enable DHCP, the device will get network parameters automatically.
3. Configure the indoor station parameters.
  - Select Indoor Station and tap Next to link main door station.
    - a. Edit Floor and Room No.
    - b. Create and confirm SIP register password.
  - Select Advanced Settings to edit Community No, Building No. and Unit No.
    - d. Optional: Enable Indoor Station Settings and select the indoor station to link.
  - Select Indoor Extension and tap Next to link indoor station.
    - a. Edit No., Room Name.
    - b. Create and confirm SIP register password.

Note: If you want to add the indoor station to the door station, the SIP password of the indoor station should be the same as the registration password of the door station.

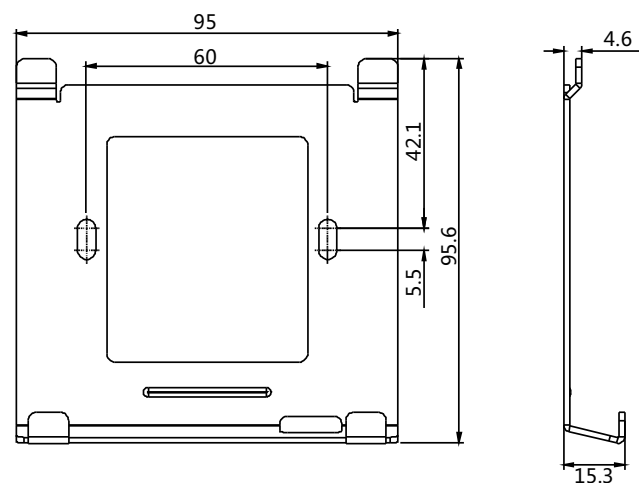
4. Linked related devices and tap Next. If the device and the indoor station are in the same LAN, the device will be displayed in the list. Tap the device or enter the serial LAN to link.
  - a. Tap the settings icon to pop up the Network Settings page.
  - b. Edit the network parameters of the door station manually or enable DHCP to get the network parameters automatically.
  - e. Tap OK to save the settings.
5. Tap Finish to save the settings.

Refers to Video Intercom Network Indoor Station Configuration Guide (Scan the QR code) for details.  
Refers to Video Intercom Network Indoor Station Operation Guide (Scan the QR code) for details.


2


Scan the QR code to get the Configuration Guide for detailed information.

Scan the QR code to get the Operation Guide for detailed information.


3


Unit : mm

