

iDS-2CD7A26G0/P-IZHS(Y)

2 MP ANPR IR Varifocal Bullet Network Camera

**DarkFighter**



## DeepinView<sup>series</sup>

- High quality imaging with 2 MP resolution
- Excellent low-light performance via DarkFighter technology
- Clear imaging against strong back light due to 140 dB WDR technology
- License Plate Recognition
- Efficient H.265+ compression technology to save bandwidth and storage
- Advanced streaming technology that enables smooth live view and data self-correcting in poor network
- 5 streams and up to 5 custom streams to meet a wide variety of applications
- Water and dust resistant (IP67) and vandal proof (IK10)



## ▪ Function

### **Road Traffic and Vehicle Detection**

With embedded deep learning based license plate capture and recognition algorithms, the camera alone can achieve plate capture and recognition. The algorithm enjoys the high recognition accuracy of common plates and complex-structured plates, which is a great step forward comparing to traditional algorithms. Blocklist and allowlist are available for plate categorization and separate alarm triggering.

### **Smooth Streaming**

Smooth streaming offers solutions to improve the video quality in different network conditions. For example, in poor network conditions, adapting to the detected real-time network condition, streaming bit rate and resolution are automatically adjusted to avoid mosaic and lower latency in live view; in multiplayer network conditions, the camera transmits the redundant data for the self-error correcting in back-end device, so that to solve the mosaic problem because of the packet loss and error rate.

## ▪ Specification

| Camera                 |  |
|------------------------|--|
| Image Sensor           | 1/1.8" Progressive Scan CMOS   |
| Min. Illumination      | Color: 0.001 Lux @ (F1.2, AGC ON); B/W: 0.0003 Lux @ (F1.2, AGC ON)  |
| Shutter Speed          | 1 s to 1/100,000 s   |
| Slow Shutter           | Yes  |
| P/N                    | P/N  |
| Wide Dynamic Range     | 140 dB   |
| Day & Night            | IR cut filter  |
| Power-off Memory       | Yes  |
| Lens                   |  |
| Focus                  | Auto, semi-auto, manual.   |
| Lens Type & FOV        | 2.8 to 12 mm, horizontal FOV: 107.3° to 39.8°, vertical FOV: 55.9° to 22.3°, diagonal FOV: 130.1° to 45.7°<br>8 to 32 mm, horizontal FOV: 40.3° to 14.4°, vertical FOV: 22.1° to 8.2° diagonal FOV: 46.9° to 16.5° |
| Aperture               | 2.8 to 12 mm: F1.2 to 2.5<br>8 to 32 mm: F1.7 to F1.73   |
| Lens Mount             | Integrated   |
| Blue Glass Module      | Blue glass module to reduce ghost phenomenon.  |
| P-Iris                 | Yes  |
| Illuminator            |  |
| IR Range               | 2.8 to 12 mm: 50 m<br>8 to 32 mm: 100 m  |
| Wavelength             | 850 nm   |
| Smart Supplement Light | Yes  |
| Video                  |  |
| Max. Resolution        | 1920 × 1080  |
| Main Stream            | 50Hz: 50fps (1920 × 1080, 1280 × 720)<br>60Hz: 60fps (1920 × 1080, 1280 × 720)   |
| Sub-Stream             | 50Hz: 25fps (704 × 576, 640 × 480)<br>60Hz: 30fps (704 × 480, 640 × 480)   |
| Third Stream           | 50Hz: 25fps (1920 × 1080, 1280 × 720, 704 × 576, 640 × 480)<br>60Hz: 30fps (1920 × 1080, 1280 × 720, 704 × 480, 640 × 480)   |
| Fourth Stream          | 50Hz: 25fps (1920 × 1080, 1280 × 720, 704 × 576, 640 × 480)<br>60Hz: 30fps (1920 × 1080, 1280 × 720, 704 × 480, 640 × 480)   |
| Fifth Stream           | 50Hz: 25fps (704 × 576, 640 × 480)<br>60Hz: 30fps (704 × 480, 640 × 480)   |
| Custom Stream          | 50Hz: 25fps (1920 × 1080, 1280 × 720, 704 × 576, 640 × 480)<br>60Hz: 30fps (1920 × 1080, 1280 × 720, 704 × 480, 640 × 480)   |
| Video Compression      | Main stream: H.265+/H.265/H.264+ / H.264<br>Sub-stream/Third stream/Fourth stream/Fifth stream/custom stream: H.265/H.264/MJPEG  |
| Video Bit Rate         | 32 Kbps to 16 Mbps   |
| H.264 Type             | Baseline Profile/Main Profile/High Profile   |
| H.265 Type             | Main Profile   |
| H.264+                 | Main Stream supports   |
| H.265+                 | Main Stream supports   |
| Bit Rate Control       | CBR/VBR  |
| Stream Type            | Main stream/sub-stream/third stream/fourth stream/fifth stream/custom stream   |

|                                  |   |
|----------------------------------|---|
| Scalable Video Coding (SVC)      | H.265 and H.264 support   |
| Region of Interest (ROI)         | 4 fixed regions for each stream   |
| <b>Audio</b>                     |   |
| Environment Noise Filtering      | Yes   |
| Audio Sampling Rate              | 8 kHz/16 kHz/32 kHz/44.1 kHz/48 kHz   |
| Audio Compression                | G.711/G.722.1/G.726/MP2L2/PCM/MP3   |
| Audio Bit Rate                   | 64Kbps(G.711)/16Kbps(G.722.1)/16Kbps(G.726)/32-192Kbps(MP2L2)/32Kbps(PCM)/8-320Kbps(MP3)  |
| Audio Type                       | Mono sound  |
| <b>Network</b>                   |   |
| Simultaneous Live View           | Up to 20 channels   |
| API                              | ONVIF (PROFILE S, PROFILE G, PROFILE T), ISAPI, SDK, ISUP   |
| Protocols                        | TCP/IP, ICMP, HTTP, HTTPS, FTP, SFTP, SRTP, DHCP, DNS, DDNS, RTP, RTSP, RTCP, PPPoE, NTP, UPnP, SMTP, SNMP, IGMP, 802.1X, QoS, IPv6, UDP, Bonjour, SSL/TLS  |
| Smooth Streaming                 | Yes   |
| User/Host                        | Up to 32 users. 3 user levels: administrator, operator and user   |
| Security                         | Password protection, complicated password, HTTPS encryption, 802.1X authentication (EAP-TLS, EAP-LEAP, EAP-MD5), watermark, IP address filter, basic and digest authentication for HTTP/HTTPS, WSSE and digest authentication for ONVIF, RTP/RTSP OVER HTTPS, Control Timeout Settings, Security Audit Log, TLS 1.2 |
| Network Storage                  | microSD/SDHC/SDXC card (256 GB) local storage, and NAS (NFS, SMB/CIFS), auto network replenishment (ANR)<br>Together with high-end Hikvision memory card, memory card encryption and health detection are supported.  |
| Client                           | iVMS-4200, Hik-Connect, Hik-Central   |
| Web Browser                      | Plug-in required live view: IE8+<br>Plug-in free live view: Chrome 57.0+, Firefox 52.0+, Safari 11+<br>Local service: Chrome 41.0+, Firefox 30.0+   |
| <b>Image</b>                     |   |
| Smart IR                         | The IR LEDs on camera should support Smart IR function to automatically adjust power to avoid image overexposure.   |
| Day/Night Switch                 | Day, Night, Auto, Schedule, Triggered by Alarm In, Triggered by Video   |
| Target Cropping                  | Yes   |
| Distortion Correction Distortion | Yes   |
| Picture Overlay                  | LOGO picture can be overlaid on video with 128 × 128 24bit bmp format   |
| Image Enhancement                | BLC, HLC, 3D DNR, Defog, EIS, Distortion Correction   |
| Image Parameters Switch          | Yes   |
| Image Settings                   | Saturation, brightness, contrast, sharpness, gain, white balance adjustable by client software or web browser   |
| SNR                              | ≥52 dB  |
| <b>Interface</b>                 |   |
| Alarm                            | 2 input, 2 outputs (max. 24 VDC, 1 A)   |
| Audio                            | With -Y:<br>1 input (line in), 3.5 mm connector, max. input amplitude: 3.3 vpp, input impedance: 4.7 KΩ, interface type: non-equilibrium; 1 output (line out), 3.5 mm connector, max. output amplitude: 3.3 vpp, output impedance: 100 Ω, interface type: non-equilibrium, mono sound                               |
| RS-485                           | With -Y: 1 RS-485(half duplex, HIKVISION, Pelco-P, Pelco-D, self-adaptive)  |
| Video Output                     | 1 Vp-p Composite Output(75Ω/CVBS)(For debugging only)   |
| On-board Storage                 | Built-in micro SD/SDHC/SDXC slot, up to 256 GB  |

|  |   |
|--|---|
| Hardware Reset                               | Yes   |
| Communication Interface                      | 1 RJ45 10M/100M/1000M self-adaptive Ethernet port   |
| Power Output                                 | With -Y: 12 VDC, max. 100 mA (supported by all power supply types)  |
| Heater                                       | Yes   |
| Wiegand                                      | With -Y: 1 wiegand(CardID 26bit, SHA-1 26bit, Hik 34bit)  |
| <b>Smart Feature-Set</b>                     |   |
| Basic Event                                  | Motion detection, video tampering alarm, vibration detection, exception (network disconnected, IP address conflict, illegal login, HDD full, HDD error)   |
| Smart Event                                  | Line crossing detection, up to 4 lines configurable<br>Intrusion detection, up to 4 regions configurable<br>Region entrance detection, up to 4 regions configurable<br>Region exiting detection, up to 4 regions configurable<br>Unattended baggage detection, up to 4 regions configurable<br>Object removal detection, up to 4 regions configurable<br>Scene change detection, audio exception detection, defocus detection |
| Counting                                     | Yes   |
| <b>Intelligent (Deep Learning Algorithm)</b> |   |
| Premier Protection                           | Line crossing, intrusion, region entrance, region exiting<br>Support alarm triggering by specified target types (human and vehicle)<br>Filtering out mistaken alarm caused by target types such as leaf, light, animal, and flag, etc.  |
| Road Traffic and Vehicle Detection           | Blocklist and allowlist: up to 10000 records<br>Captures vehicle that has no license plate<br>Support license plate recognition of motorcycles (only in checkpoint scenario)<br>Support vehicle attribute detection, including vehicle type, color, brand, etc. (City Street mode is recommended.)  |
| <b>General</b>                               |   |
| Linkage Method                               | Upload to FTP/NAS/memory card, notify surveillance center, send email, trigger alarm output, trigger recording, trigger capture<br>Trigger recording: memory card, network storage, pre-record and post-record<br>Trigger captured pictures uploading: FTP, SFTP, HTTP, NAS, Email<br>Trigger notification: HTTP, ISAPI, alarm output, Email  |
| Online Upgrade                               | Yes   |
| Dual Backup                                  | Yes   |
| Firmware Version                             | V5.5.130  |
| Web Client Language                          | 33 languages<br>English, Russian, Estonian, Bulgarian, Hungarian, Greek, German, Italian, Czech, Slovak, French, Polish, Dutch, Portuguese, Spanish, Romanian, Danish, Swedish, Norwegian, Finnish, Croatian, Slovenian, Serbian, Turkish, Korean, Traditional Chinese, Thai, Vietnamese, Japanese, Latvian, Lithuanian, Portuguese (Brazil), Ukrainian   |
| General Function                             | Anti- flicker, 5 streams and up to 5 custom streams, EPTZ, heartbeat, mirror, privacy masks, flash log, password reset via e-mail, pixel counter  |
| Software Reset                               | Yes   |
| Storage Conditions                           | -40 °C to 60 °C (-40 °F to 140 °F). Humidity 95% or less (non-condensing)   |
| Startup and Operating Conditions             | -40 °C to 60 °C (-40 °F to 140 °F). Humidity 95% or less (non-condensing)   |
| Power Supply                                 | 12 VDC ± 20%, three-core terminal block, reverse polarity protection; PoE: 802.3at, Type 2 Class 4  |
| Power Consumption and Current                | 12 VDC, 1.33 A, max. 16.0 W<br>PoE: (802.3at, 42.5V-57V), 0.43 A to 0.31 A, max. 18.0 W   |

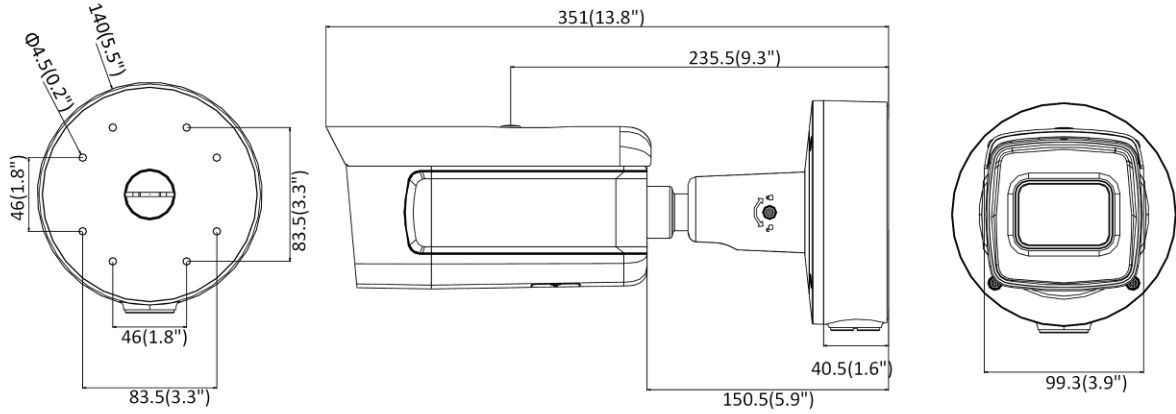
|                           |   |
|---------------------------|---|
| Power Interface           | Three-core terminal block   |
| Material                  | Aluminum alloy body   |
| Camera Dimension          | Without -Y: $\varnothing 144 \times 347$ mm ( $\varnothing 5.7'' \times 13.7''$ )<br>With -Y: $\varnothing 140 \times 351$ mm ( $\varnothing 5.5'' \times 13.8''$ )   |
| Package Dimension         | 405 × 190 × 180 mm (15.9'' × 7.5'' × 7.1'')   |
| Camera Weight             | 1920 g (4.2 lb.)  |
| With Package Weight       | 3060 g (6.7 lb.)  |
| <b>Metadata</b>           |   |
| Metadata                  | Metadata of intrusion detection, line crossing detection, region entrance detection, region exiting detection, unattended baggage detection, object removal are supported.  |
| <b>Approval</b>           |   |
| Class                     | Class B   |
| EMC                       | FCC: FCC-SDoC (ANSI C63.4,FCC Part15 sub B);<br>CE: CE-EMC (EN 50130-4:2011+A1:2014,EN 55032:2015,EN 61000-3-2:2014,EN 61000-3-3:2013);<br>RCM (AS/NZS 60950.1:2003 + Am1, Am2 and Am3,AS/NZS CISPR 32:2015);<br>IC: IC-VoC (ICES-003 Issue 7:2020);<br>KC (KN 32: 2015, KN 35: 2015) |
| Safety                    | UL (UL 60950-1:2014,CAN/CSA C22.2 No. 60950-1-07:2014);<br>CB (IEC 60950-1, IEC 62368-1);<br>CE-LVD (EN 60950-1:2005 + Am 1:2009 + Am 2:2013);<br>BIS (IS 13252(Part 1):2010+A1:2013+A2:2015);<br>LOA (IEC/EN 60950-1)  |
| Environment               | CE-RoHS (RoHS Directive 2011/65/EU+2015/863);<br>WEEE (2012/19/EU);<br>Reach (Regulation (EC) No 1907/2006)   |
| Protection                | IK10 (IEC 62262:2002),<br>IP67 (IEC 60529-2013)   |
| Anti-Corrosion Protection | With -Y: NEMA 4X(NEMA 250-2018)   |
| Other                     | With -Y: PVC FREE   |

## Available Model

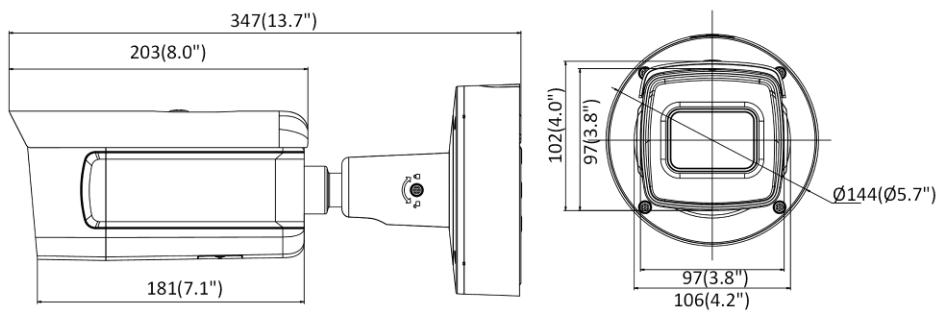
iDS-2CD7A26G0/P-IZHS (2.8 to 12 mm), iDS-2CD7A26G0/P-IZHS (8 to 32 mm), iDS-2CD7A26G0/P-IZHSY (2.8 to 12 mm),  
iDS-2CD7A26G0/P-IZHSY (8 to 32 mm)

▪ **Dimension**

-Y model:



Without -Y model:



Unit: mm(inch)

**Accessory**

-Y model:



DS-1476ZJ-Y  
Corner Mount



DS-1475ZJ-Y  
Vertical Pole Mount

Without -Y model:



DS-1475ZJ-SUS  
Vertical Pole Mount



DS-1476ZJ-SUS  
Corner Mount



Distributed by



## **HIKVISION®**

### **Headquarters**

No.555 Qianmo Road, Binjiang District,  
Hangzhou 310051, China  
T +86-571-8807-5998  
overseasbusiness@hikvision.com

### **Hikvision USA**

T +1-909-895-0400  
sales.usa@hikvision.com

### **Hikvision Australia**

T +61-2-8599-4233  
salesau@hikvision.com

### **Hikvision India**

T +91-22-28469900  
sales@pramahikvision.com

### **Hikvision Canada**

T +1-866-200-6690  
sales.canada@hikvision.com

### **Hikvision Thailand**

T +662-275-9949  
sales.thailand@hikvision.com

### **Hikvision Europe**

T +31-23-5542770  
sales.eu@hikvision.com

### **Hikvision Italy**

T +39-0438-6902  
info.it@hikvision.com

### **Hikvision Brazil**

T +55 11 3318-0050  
Latam.support@hikvision.com

### **Hikvision Turkey**

T +90 (216)521 7070- 7074  
sales.tr@hikvision.com

### **Hikvision Malaysia**

T +601-7652-2413  
sales.my@hikvision.com

### **Hikvision UK & Ireland**

T +01628-902140  
sales.uk@hikvision.com

### **Hikvision South Africa**

Tel: +27 (10) 0351172  
sale.africa@hikvision.com

### **Hikvision France**

T +33(0)1-85-330-450  
info.fr@hikvision.com

### **Hikvision Kazakhstan**

T +7-727-9730667  
nikia.panfilov@hikvision.ru

### **Hikvision Vietnam**

T +84-974270888  
sales.vt@hikvision.com

### **Hikvision UAE**

T +971-4-4432090  
salesme@hikvision.com

### **Hikvision Singapore**

T +65-6684-4718  
sg@hikvision.com

### **Hikvision Spain**

T +34-91-737-16-55  
info.es@hikvision.com

### **Hikvision Tashkent**

T +99-87-1238-9438  
uzb@hikvision.ru

### **Hikvision Hong Kong**

T +852-2151-1761  
info.hk@hikvision.com

### **Hikvision Russia**

T +7-495-669-67-99  
saleru@hikvision.com

### **Hikvision Korea**

T +82-(0)31-731-8817  
sales.korea@hikvision.com

### **Hikvision Poland**

T +48-22-460-01-50  
info.pl@hikvision.com

### **Hikvision Indonesia**

T +62-21-2933759  
Sales.Indonesia@hikvision.com

### **Hikvision Colombia**

sales.colombia@hikvision.com