

COPYRIGHT © Hangzhou EZVIZ Software Co., Ltd. ALL RIGHTS RESERVED.

Any and all information, including, among others, wordings, pictures, graphs are the properties of Hangzhou EZVIZ Software Co., Ltd. (hereinafter referred to as "EZVIZ"). This user manual (hereinafter referred to as "the Manual") cannot be reproduced, changed, translated, or distributed, partially or wholly, by any means, without the prior written permission of EZVIZ. Unless otherwise stipulated, EZVIZ does not make any warranties, guarantees or representations, express or implied, regarding to the Manual.


About this Manual

The Manual includes instructions for using and managing the product. Pictures, charts, images and all other information hereinafter are for description and explanation only. The information contained in the Manual is subject to change, without notice, due to firmware updates or other reasons. Please find the latest version in the EZVIZ™ website (<http://www.ezviz.com>).

Revision Record

New release – January, 2022

Trademarks Acknowledgement

EZVIZ™, ™, and other EZVIZ's trademarks and logos are the properties of EZVIZ in various jurisdictions. Other trademarks and logos mentioned below are the properties of their respective owners.

Legal Disclaimer

TO THE MAXIMUM EXTENT PERMITTED BY APPLICABLE LAW, THE PRODUCT DESCRIBED, WITH ITS HARDWARE, SOFTWARE AND FIRMWARE, IS PROVIDED "AS IS", WITH ALL FAULTS AND ERRORS, AND EZVIZ MAKES NO WARRANTIES, EXPRESS OR IMPLIED, INCLUDING WITHOUT LIMITATION, MERCHANTABILITY, SATISFACTORY QUALITY, FITNESS FOR A PARTICULAR PURPOSE, AND NON-INFRINGEMENT OF THIRD PARTY. IN NO EVENT WILL EZVIZ, ITS DIRECTORS, OFFICERS, EMPLOYEES, OR AGENTS BE LIABLE TO YOU FOR ANY SPECIAL, CONSEQUENTIAL, INCIDENTAL, OR INDIRECT DAMAGES, INCLUDING, AMONG OTHERS, DAMAGES FOR LOSS OF BUSINESS PROFITS, BUSINESS INTERRUPTION, OR LOSS OF DATA OR DOCUMENTATION, IN CONNECTION WITH THE USE OF THIS PRODUCT, EVEN IF EZVIZ HAS BEEN ADVISED OF THE POSSIBILITY OF SUCH DAMAGES.

TO THE MAXIMUM EXTENT PERMITTED BY APPLICABLE LAW, IN NO EVENT SHALL EZVIZ'S TOTAL LIABILITY FOR ALL DAMAGES EXCEED THE ORIGINAL PURCHASE PRICE OF THE PRODUCT.

EZVIZ DOES NOT UNDERTAKE ANY LIABILITY FOR PERSONAL INJURY OR PROPERTY DAMAGE AS THE RESULT OF PRODUCT INTERRUPTION OR SERVICE TERMINATION CAUSED BY: A) IMPROPER INSTALLATION OR USAGE OTHER THAN AS REQUESTED; B) THE PROTECTION OF NATIONAL OR PUBLIC INTERESTS; C) FORCE MAJEURE; D) YOURSELF OR THE THIRD PARTY, INCLUDING WITHOUT LIMITATION, USING ANY THIRD PARTY'S PRODUCTS, SOFTWARE, APPLICATIONS, AND AMONG OTHERS.

REGARDING TO THE PRODUCT WITH INTERNET ACCESS, THE USE OF PRODUCT SHALL BE WHOLLY AT YOUR OWN RISKS. EZVIZ SHALL NOT TAKE ANY RESPONSIBILITIES FOR ABNORMAL OPERATION, PRIVACY LEAKAGE OR OTHER DAMAGES RESULTING FROM CYBER ATTACK, HACKER ATTACK, VIRUS INSPECTION, OR OTHER INTERNET SECURITY RISKS; HOWEVER, EZVIZ WILL PROVIDE TIMELY TECHNICAL SUPPORT IF REQUIRED. SURVEILLANCE LAWS AND DATA PROTECTION LAWS VARY BY JURISDICTION. PLEASE CHECK ALL RELEVANT LAWS IN YOUR JURISDICTION BEFORE USING THIS PRODUCT IN ORDER TO ENSURE THAT YOUR USE CONFORMS TO THE APPLICABLE LAW. EZVIZ SHALL NOT BE LIABLE IN THE EVENT THAT THIS PRODUCT IS USED WITH ILLEGITIMATE PURPOSES.

IN THE EVENT OF ANY CONFLICTS BETWEEN THE ABOVE AND THE APPLICABLE LAW, THE LATTER PREVAILS.

Table of Contents

Overview	1
1. Package Contents	1
2. Basics	1
Get the EZVIZ App	2
Preparations	2
1. Remove Cover	2
2. Remove Insulation Strip	3
Add Device	3
1. Method One: Add by Scanning QR Code.....	3
2. Method Two: Add by the Gateway	4
Installation	4
1. 1.8m Wall Mount	4
2. Use Shielding Cover (Optional)	5
BATTERY INSTALLATION and REPLACEMENT ..	7
1. Install Battery	7
2. Replace Battery	7
3. Removable Lithium ion Battery(CR2450)	7
Operations on the EZVIZ App	8
1. Homepage.....	8
2. Settings.....	8
INFORMATION FOR PRIVATE HOUSEHOLDS	9

Overview

1. Package Contents



PIR Sensor (x1)



Shielding Cover (x1)



Double-sided Tape (x1)



* Pin (x1)



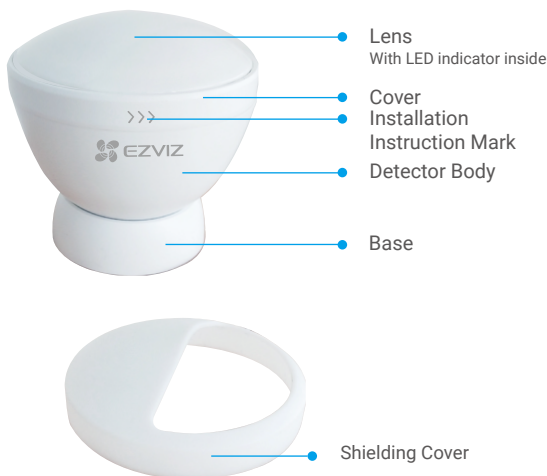
Regulatory Information (x1)



Quick Start Guide (x1)

- i** • The device appearance and structure is subject to the actual one you have bought.
- The pin is only supplied for the device with reset hole.

2. Basics



Name	Description
LED Indicator	<ul style="list-style-type: none">• Fast-flashing Blue: Detector enters device adding mode.• Fast-flashing Blue 3 Times: Changing working mode.• Blue for 1 second: PIR signal triggered/waken the device by pressing the RESET button/tamper alarm triggered.
Shielding Cover	Fix it on the lens to limit detection range.



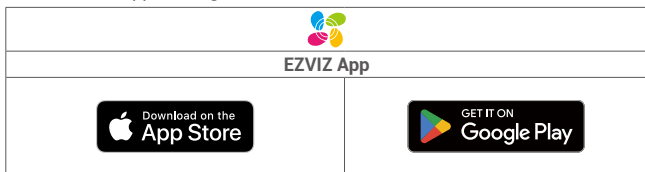
RESET Hole
Structure 1 (with reset hole)

RESET Button
Structure 2 (with reset button)

Name	Description
RESET Hole (Button)	<p>Use the pin to press and hold the RESET hole for 2s (If your device has a reset button, please press and hold the RESET button for over 5s), and then the device will enter device adding mode. Double press to change working mode (the interval between the two pressings should be less than 1 second).</p> <ul style="list-style-type: none"> • Energy-saving Mode On (by default) Detect objects in every 1 minute. • Energy-saving Mode Off / Debug Mode Detect objects in every 10 seconds. <p>* After network connected successfully, the device enters debug mode; 5 mins later, the device automatically enters energy-saving mode.</p>

Get the EZVIZ App

1. Connect your mobile phone to Wi-Fi (suggested).
2. Download and install the EZVIZ app by searching for "EZVIZ" in the App Store or Google Play™.
3. Launch the app and register an EZVIZ user account.



i If you have already used the app, please make sure that it is the latest version. To find out if an update is available, go to the app store and search for "EZVIZ".

Preparations

1. Remove Cover

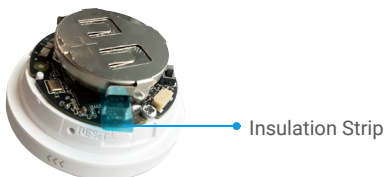
Remove the cover of the detector by turning the cover counterclockwise as

shown in the figure below.



2. Remove Insulation Strip

Press and hold the battery, and then remove the battery insulation strip.



Structure 1 (with reset hole)



Structure 2 (with reset button)

- After removing the insulation strip, before performing any operations, please wait about 2-3 minutes, which will make the PIR detection performance more stable.
- When the battery level is low, the low battery notification will be pushed to the EZVIZ app to remind you to replace batteries.
- If you need to replace batteries, please purchase CR2450 620mAh batteries.
- When replacing batteries, please insert with the positive side facing up.
- Keep your hands dry and clean when touching the circuit board.

Add Device

- The detector should be used along with EZVIZ Smart Gateway (afterinafter referred to as "gateway"). Please add gateway to the EZVIZ Cloud, and then add the detector to the gateway by the following two methods.

1. Method One: Add by Scanning QR Code

1. Log in to your account through EZVIZ app, tap the device adding icon and then the QR code scanning interface will be displayed.
2. Scan the QR code on the inner side of the cover or on the user manual, and then add the detector to the gateway.



3. Rotate the cover clockwise until the installation instruction mark and the EZVIZ logo are aligned.

2. Method Two: Add by the Gateway

i When adding detector by the gateway, place the detector as close to the gateway as possible.

1. Make the gateway enter device adding mode as instructed by the user manual of the gateway
2. Use the pin to poke the RESET hole for about 2s (If your smart button has a reset button instead of the reset hole, please press and hold the reset button for 5s) until the indicator on the detector turns fast-flashing blue, and then the detector will enter adding mode.
3. The detector will be added to the gateway automatically, and the LED indicator will be off.
4. Rotate the cover clockwise until the installation instruction mark and the EZVIZ logo are aligned.

Installation

i The detector can be put on the table, or be stuck on where you want through the double-sided tape at the bottom of the detector. The following installation positions and angles are only for reference.

1. 1.8m Wall Mount

i For better detection effect, please make the side with installation instruction mark and EZVIZ logo faces the ground as shown in the figure below.

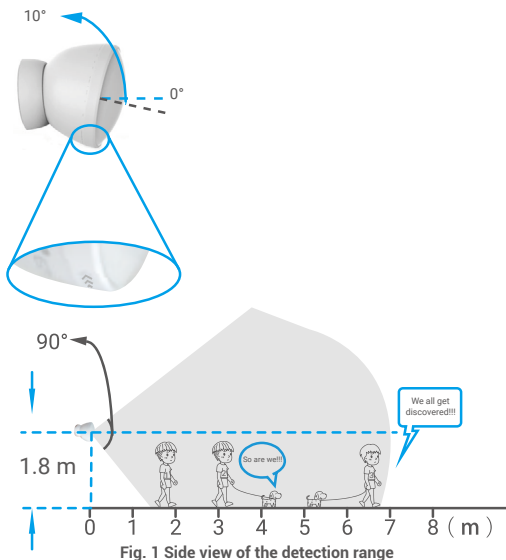


Fig. 1 Side view of the detection range

- After you have installed the detector, you need to adjust the angle of the detector to get appropriate detection range.
- The detection angle of the detector are 90° vertically and horizontally.
- The detector should be placed facing an area where people often walk across, and there should be no obstacles in front of the detector.
- Do not install the detector at places with intense direct sunlight or places where temperature changes greatly (near air conditions, refrigerators, electric fans, ovens, windows, and more).
- Before sticking the detector, clean the surface first. Do not stick the detector on limewashed walls.

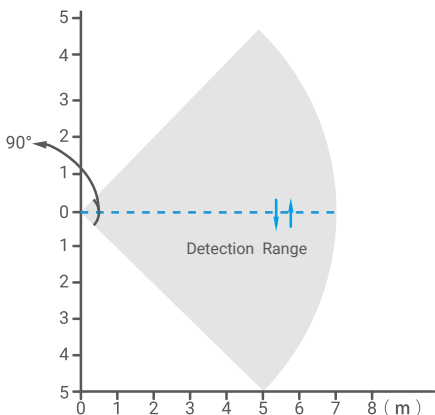


Fig. 2 Top view of the detection range

2. Use Shielding Cover (Optional)

- For better detection effect, please make the side with installation instruction mark and EZVIZ logo faces the ground as shown in the figure below.

Shielding cover can be used in situations as below:

- To prevent false alarms produced by pets.

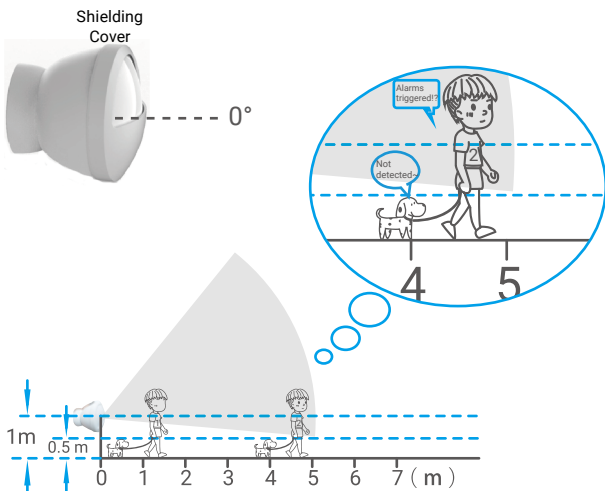


Fig. 1 Side view of the detection range

- The shielding cover will prevent part of the detector receiving heat radiation emitted by moving objects, thus limits detection range of the detector. This can prevent false alarms especially produced by pets.
 - If you have pets, the installation height=pet height+0.5m; if the pet height \leq 0.5m, the recommended installation height is 1m.
 - After using the shielding cover, the maximum detection distance of the detector is 5m.
 - Small expecting detection range.
- For better detection effect, please make the side with installation instruction mark and EZVIZ logo faces the ground as shown in the figure below.

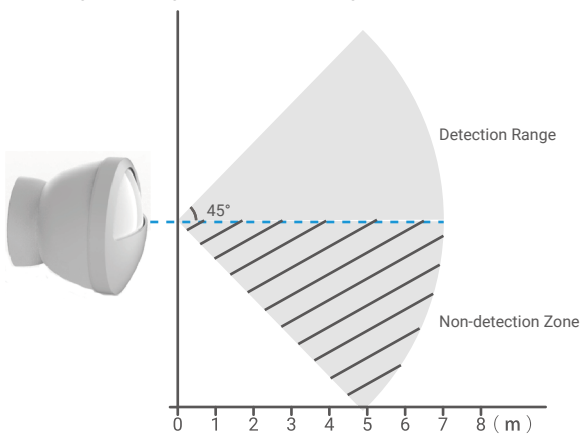


Fig. 2 Top view of the detection range


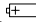
BATTERY INSTALLATION and REPLACEMENT

1. Install Battery

Tear off the battery insulation, put the battery into the baseplate and insert it to the end.

2. Replace Battery


Remove the battery from baseplate and replace battery with the Lithium Battery CR2450 purchased by a regular manufacturer. Test the device for correct operation whenever the batteries are replaced after re-fitting the device onto the base plate. If the device is not working properly, please add the device and configure the network again by following the steps in Setup part or directly contact our technical support.

-  Risk of explosion if the battery is replaced by an incorrect type.
- Improper replacement of the battery with an incorrect type may defeat a safeguard (for example, in the case of some lithium battery types).
- Do not dispose of the battery into fire or a hot oven, or mechanically crush or cut the battery, which may result in an explosion.
- Do not leave the battery in an extremely high temperature surrounding environment or extremely low air pressure, which may result in an explosion or the leakage of flammable liquid or gas.
- Dispose of used batteries according to the instructions.
-  identifies the battery holder itself and identifies the positioning of the cell(s) inside the battery holder.
- "+" identifies the positive terminal(s) of device which is used with, or generates direct current, "-" identifies the negative terminal(s) of device which is used with, or generates direct current.

3. Removable Lithium ion Battery(CR2450)

Ingredient	CAS No.	Content (wt%)
Lithium	7439-93-2	2.55(0.176 gram)
Propylene Carbonate	108-32-7	6.8
Manganese dioxide	1313-13-9	33.9
1,2-Dimethoxyethane	110-71-4	4.9
Lithium perchlorate	7791-03-9	1.8
Graphite	7782-42-5, 1333-86-4	3.7
Polypropylene	9003-07-0	1.8
Teflon	9002-84-0	1.8
Stainless steel	7439-89-6	42.75

Operations on the EZVIZ App

 The app interface may be different due to version update, and the interface of the app you installed on your phone shall prevail.

1. Homepage

Launch the EZVIZ app, open the homepage of the related gateway, you can manage your detector as needed on the page.

Log	Detection log of the detector.
Dismiss	Clear alarms of the detector.

2. Settings

Parameter	Description
Device Name	Customize the name of your device.
Alarm Settings	You can set the notification parameters as needed.
Linkage Camera	Select your camera to connect to the detector. Once connected, the camera will turn to the direction when a human detection happened.
Energy-saving mode	Double press to change working mode (the interval between the two pressings should be less than 1 second). <ul style="list-style-type: none">• Factory Mode: Detect objects in every 10 seconds.• Energy-saving mode: Detect objects in every 1 minute.
Related Devices	You can see the gateway connected to your detector.
Device Information	You can see the device information here.
Share	Share your device.
Delete Device	Tap to delete the detector from EZVIZ cloud.

INFORMATION FOR PRIVATE HOUSEHOLDS

1. Separate collection of waste equipment: Electrical and electronic equipment that has become waste is referred to as waste equipment. Owners of waste equipment must dispose of it separately from unsorted municipal waste. In particular, waste equipment does not belong in household waste, but in special collection and return systems.
2. Batteries and rechargeable batteries as well as lamps: Owners of waste equipment shall, as a rule, separate waste batteries and rechargeable batteries that are not enclosed in the waste equipment, which can be removed from the waste equipment without being destroyed, from the waste equipment before handing them in at a collection point. This does not apply if waste equipment is prepared for reuse with the participation of a public waste management authority.
3. Options for returning waste equipment: Owners of waste equipment from private households can return it free of charge to the collection points of the public waste management authorities or to the take-back points set up by manufacturers or distributors within the meaning of the Electrical and Electronics Equipment Law. Stores with a sales area of at least 400 m² for electrical and electronic equipment and those grocery stores with a total sales area of at least 800 m² that offer electrical and electronic equipment several times a year or on a permanent basis and make it available in the market are required to take it back. This also applies in the case of distribution using means of distance communication, if the storage and shipping areas for electrical and electronic equipment are at least 400 m² or the total storage and shipping areas are at least 800 m². Distributors shall, in principle, ensure take-back by providing suitable return facilities at a reasonable distance from the respective end user. The possibility of returning waste equipment free of charge exists for distributors who are obliged to take it back, among other things, if a new similar device that essentially fulfills the same functions is delivered to an end user.
4. Privacy Notice: Waste equipment often contains sensitive personal data. This applies in particular to devices of information and telecommunications technology such as computers and smartphones. In your own interest, please note that each end user is responsible for deleting the data on the waste equipment to be disposed of.
5. Meaning of the symbol "crossed-out wheellie bin": The symbol of a crossed-out wheellie bin regularly depicted on electrical and electronic equipment indicates that the respective device is to be collected separately from unsorted municipal waste at the end of its service life.