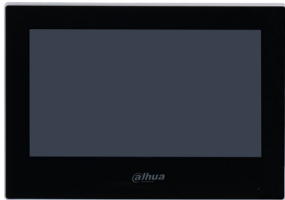


DHI-VTH2621G-P/DHI-VTH2621GW-P

IP Indoor Monitor



- 7" TFT capacitive touch screen, 1024 × 600.
- 6-channel alarm input and 1-channel alarm output.
- Standard PoE.
- Door station and IPC monitor.
- H.265 and H.264 video decoding.
- High performance & cost-effective.



Technical Specification

System

Main Processor	Embedded processor
Operating System	Embedded Linux operating system
Interoperability	ONVIF; SDK
Network Protocol	RTSP; RTP; SIP; DNS; SSH
ROM	128 MB
RAM	128 MB
CPU	Dual core 1.2 GHz

Basic

Screen Type	Capacitive touchscreen
Display	7" TFT
Screen Resolution	1024 × 600
Audio Compression	G.711a; G.711u; PCM
Audio Input	1
Audio Output	Built-in speaker
Audio Mode	2-way Audio
Audio Enhancement	Echo suppression
Audio Bit Rate	16 kHz; 16 bit

Function

Communication Mode	Full digital
Information Release	Receive and view text information released by the management center
Leave Videos	Yes (SD card inserted in VTO is needed)

DND Mode	Do not disturb period can be set; Do not disturb mode
Number of Extensions	Villa: 9 Apartment: 4

Performance

Casing	PC + ABS
--------	----------

Port

Alarm Input	6
Alarm Output	1
Door Bell	Yes (use any alarm input port)
Network	One 10/100 Mbps Ethernet
Storage	Micro SD Card, Max 64 GB (reserved for software)

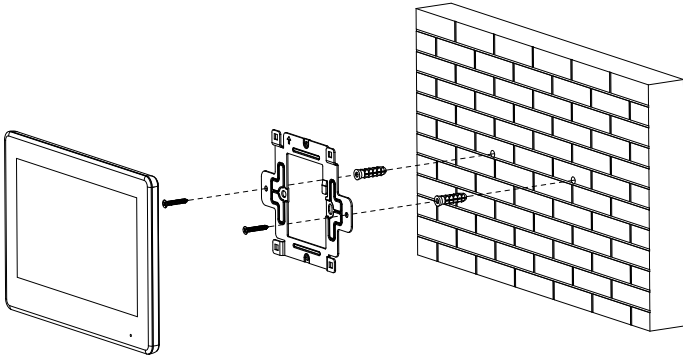
General

Appearance Color	Black/White
Power Supply	12 VDC 1A; Standard PoE (36–57 V, 0.35 A)
Installation	Surface Mount
Certifications	CE; FCC
Dimensions	189.6 mm × 134.6 mm × 26.0 mm (7.50" × 5.30" × 1.00")
Operating Temperature	–10 °C to +55 °C (+14 °F to +131 °F)
Operating Humidity	10%–95% RH (non-condensing)
Operating Altitude	Beneath 3,000 m (9,842.52 ft)
Power Consumption	Standby ≤ 2 W; working ≤ 6 W
Net Weight	0.34 kg (0.74 lb)
Gross Weight	0.58 kg (1.27 lb)

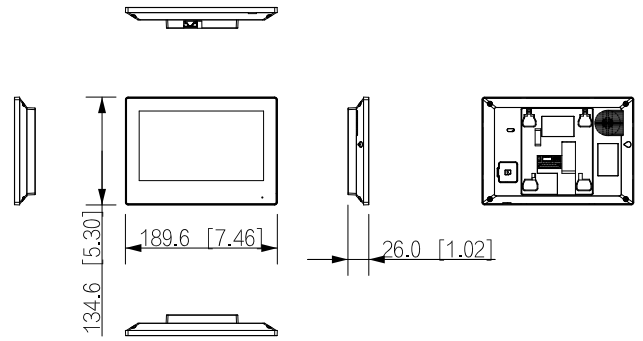
Ordering Information

Type	Model	Description
IP Indoor Monitor	DHI-VTH2621G-P/ DHI-VTH2621GW-P	IP Indoor Monitor

Installation



Dimensions (mm[inch])



Application

