

DH-PFB301S-E

Plane Mount Bracket



- Built of aluminum alloy.
- Matched with particular cameras, beautiful and elegant designed.
- Plane mount and hidden line design.



Series Overview

Dahua Mounting Bracket works with front-end services, supporting installation methods such as wall mount, pole mount, corner mount and in-ceiling mount. Select brackets are designed to suit complex scenes, making them convenient to use in environments with high temperatures, humidity, frequent vibrations, and in locations that are highly corrosive. These highly reliable brackets are easy to install and use.

Scene

Ideal for mounting cameras, and works in temperatures ranging from $-40\text{ }^{\circ}\text{C}$ to $+60\text{ }^{\circ}\text{C}$ ($-40\text{ }^{\circ}\text{F}$ to $+140\text{ }^{\circ}\text{F}$) and in environments with a relative humidity of less than 90%.

Technical Specification

Structure

Casing Material	Aluminum alloy
Product Dimensions	343.6 mm × 121.9 mm × 700.0 mm (13.53" × 4.80" × 27.56") (L × W × H)
Appearance Color	White
Net Weight	1.68 kg (3.70 lb)
Gross Weight	2.45 kg (5.40 lb)
Load Bearing	10.0 kg (22.05 lb)
Installation	Plane mount
Applicable Model	Please see "Camera Accessories Selection"
Packaging Dimensions	400.0 mm × 165.0 mm × 721.0 mm (15.79" × 6.50" × 28.39") (L × W × H)

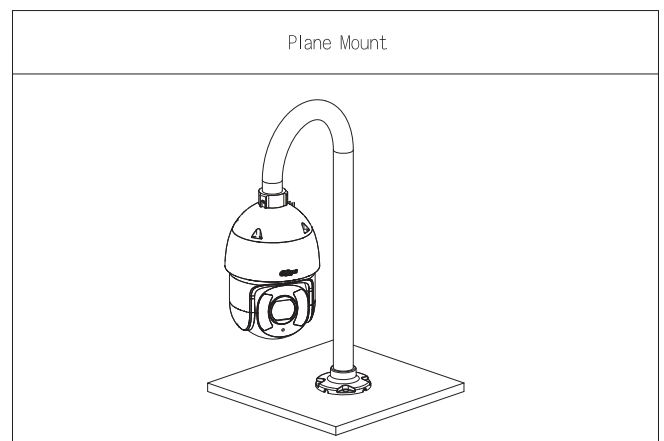
Environment

Operating Temperature	$-40\text{ }^{\circ}\text{C}$ to $+60\text{ }^{\circ}\text{C}$ ($-40\text{ }^{\circ}\text{F}$ to $+140\text{ }^{\circ}\text{F}$)
Operating Humidity	< 90% (RH)
Storage Temperature	$-40\text{ }^{\circ}\text{C}$ to $+60\text{ }^{\circ}\text{C}$ ($-40\text{ }^{\circ}\text{F}$ to $+140\text{ }^{\circ}\text{F}$)
Storage Humidity	10%–90% (RH)
Anti-corrosion Level	Basic Protection

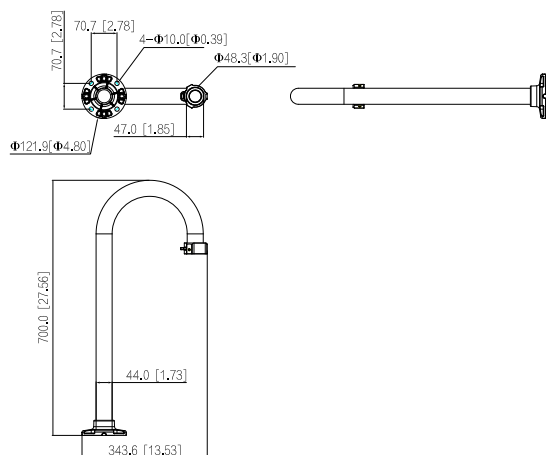
Ordering Information

Type	Model	Description
Camera Mount	DH-PFB301S-E	Plane Mount Bracket

Installation



Dimensions (mm[inch])



Package Information

- Plane mount bracket × 1
- ST8×80 screw × 4
- M6×14 screw × 3